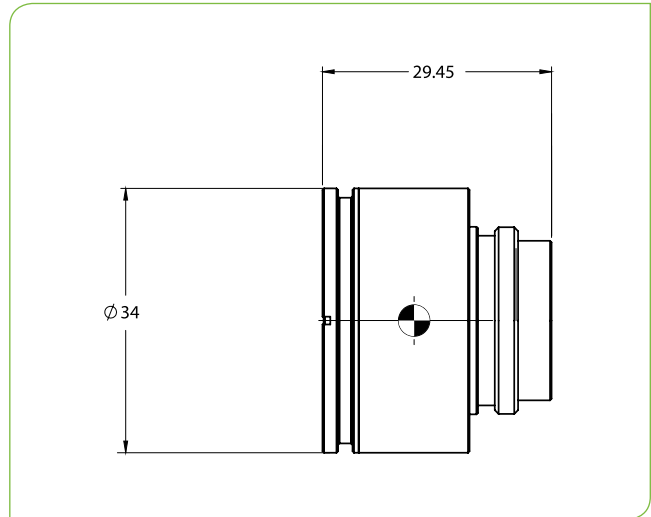


SupIR 24mm f/1.0, Fixed Athermalized 680360

TYPICAL ICD*



HD
FORMAT



LWIR | 1-FOV

HFOV	320x240	640x480	672x544	1280x720
17μ	12.8°	25.5°	26.8°	
12μ	9.0°	18.0°	18.9°	
10μ		15.0°	15.8°	30.2°

Property	Value				
Optical					
Focal Length	24mm				
F#	1.0				
Average transmission (8-12μm)	87% (HC) / 92% (HD)				
Back Focal Length	8.97mm in air				
Mechanical					
Focus Mechanism	Fixed				
Depth of Field	30m to infinity				
Focus Range	3m to infinity				
Weight	37gr				
Max. Dimensions	Ø34mm x 29.45mm				
Environmental					
Operation Temperature	-40°C to +80°C				
Storage Temperature	-55°C to +85°C				
Sealing	IP 67 front element only				
Configurations	Weight (gr)	Dimensions	BWD**	Thread	Coating
680360-001	37	Ø34mm x 29.45mm	4.85	M24x0.5	HD
680360-002					HC

* The ICD drawing provided here is primarily a representation and may not accurately reflect the product's actual dimensions and specifications. For precise integration specifications contact your local sales representative.

** The BWD value is calculated for a unique detector setup with varying sealing windows in terms of thickness and material. For more details, contact your local sales representative.